

Kodiak Tent Setup Instructions

Unfold the tent and spread it out in the desired position. Be sure the door zipper is closed. From corner to corner, stake out the corners of the floor- firm but not too tight. Put in the rest of the stakes between the corners.

CENTER POLE:

Assemble the pole (see diagram) and insert the pin through the inside harness and grommet in the center of the roof. Push the pole up raising the tent, and place the butt of the pole in the center of the tent.

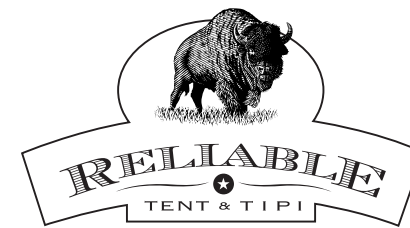
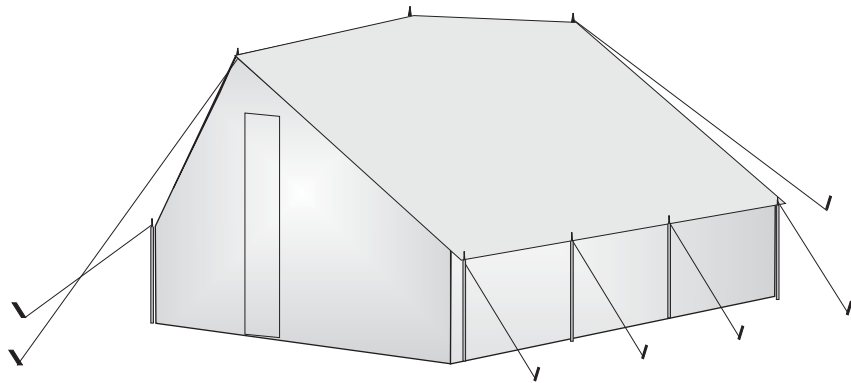
FRONT & BACK POLES:

Assemble the poles (see diagram) and insert the pin end through the inside harness and grommet in the ends. Push the poles up raising the tent, and place the butt of the pole on the ground beneath the harness. Attach the guy rope to the pole pins and guy them out with a rope & stake. (see rope tightener diagram)

SIDE POLES:

Insert the side poles through the grommets on each side of the tent. Guy out the poles with the rope & stake.

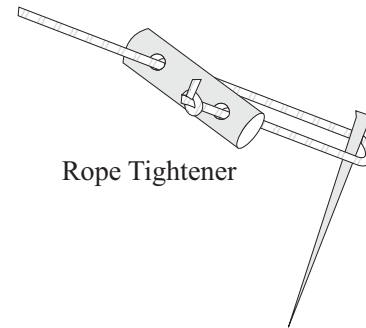
Note: If you plan to use a stove, it helps to roll up the exterior stove flap before you set up your tent.



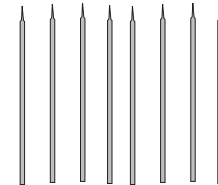
CENTER POLE (4 sections)



2-FRONT & BACK POLES (3 sections)



Rope Tightener



8-SIDE POLES

OPTIONAL FLY

Be sure to get at least the center fly grommet over the center pole pin before raising the center pole. The end grommets can be placed over the end poles as they are raised. Place the plastic protective caps over the side poles and guy out the sides. The caps protect the fly from the pin ends of the side poles.

Plastic Cap on Side & Corner Poles

